

# WINEGARD® SENSAR® ANTENNA

## INSTALLATION/OPERATION MANUAL (All Models)

MADE IN U.S.A.

**STEP 1:** Choose location for antenna. Figure 1 illustrates placement of the Sensor, showing it in travel position. You must be able to raise and rotate antenna without interfering with other roof-mounted equipment. Make sure inside ceiling area is clear to mount ceiling plate.

**NOTE:** Figure 1 shows the minimum distance the mount can be located from edge of vehicle roof. Check with your dealer or the manufacturer for information about options in the roof for mounting the antenna. A reinforced roof area, or a prewired coax cable, may be available. For sloped/round roofs, use Winegard Model RW-2000 exterior roof wedge, to level installation. An interior wedge, IW-5000, is also available.

**STEP 2:** Using template on page 6, drill 1-3/4" hole through roof and ceiling of vehicle. Be careful not to damage any wiring between roof and ceiling.

**STEP 3:** Drill 1/2" hole for **cable entry through roof of vehicle only**. DO NOT DRILL THROUGH CEILING. Route cable through ceiling and wall to power supply location.

**STEP 4:** The mount is designed to fit roofs from 1" to 4-3/4" thick. As supplied, the mount will fit a roof 4-3/4" thick. If roof is less than 4-3/4" thick, cut elevating shaft and directional handle to size, steps shown in Figures 2, 3, 4 and 5. If roof is more than 4-3/4" thick (max. 7"), a directional handle extension is needed. Order Winegard Model EK-1036, Directional Handle Extension.

**NOTE:** If using roof wedge RW-2000 or interior wedge IW-5000, put in place before measuring for shaft or directional handle.

**STEP 5:** *Temporarily* mount lift/gear housing unit on roof, Figure 2. Measure elevating shaft, Mark length on shaft and remove lift/gear housing from roof. Cut shaft to length marked, Figure 3.

After cutting elevating shaft, measure length, Figure 4, for proper cutting of directional handle. Cut directional handle to proper length, Figure 4.

If EK-1036 (directional handle extension) is used, see Figure 5. DO NOT CUT EK-1036 extension. Cut excess length from directional handle only.

**IMPORTANT:** The handle and extension should be glued together *after checking to be sure you have the correct length*. The handle will not work properly if it is not glued together! (PVC glue is recommended; for your safety, use according to manufacturer's directions.)

FIGURE 1

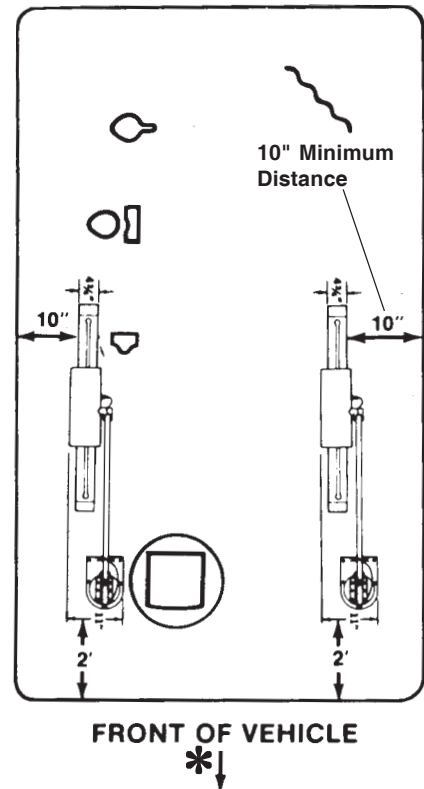


FIGURE 2

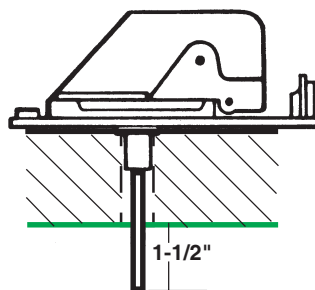


FIGURE 3

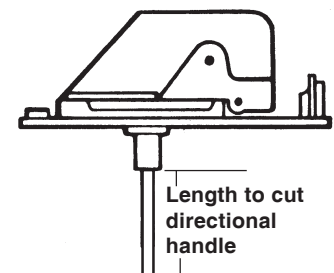


FIGURE 4

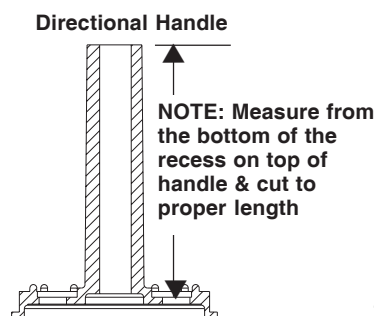
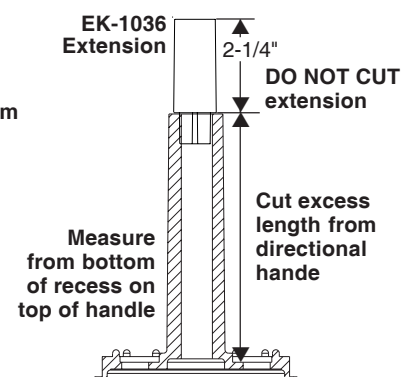


FIGURE 5



**ALL MODELS**

**STEP 6:** Attach antenna head to lift tubes with two (2) steel pins, Figure 6. Align holes in leveling bracket on back of antenna head with holes in lift tubes, insert pins and secure in place with (2) E-clips. **Use pliers and get a firm grip on E-clips.** Fit clips into groove on pins and snap into place.

**STEP 7:** Attach coax connector to jack on back of antenna head, slide weather boot into place over boot collar as shown in Figure 7.

**STEP 8:** Mount antenna and lift on roof in travel position. Apply a liberal amount of approved nonhardening sealing compound on bottom of base plate and roof area around hole, Figure 8. Secure base plate with screws provided. Apply sealing compound over mounting screws, Figure 8.

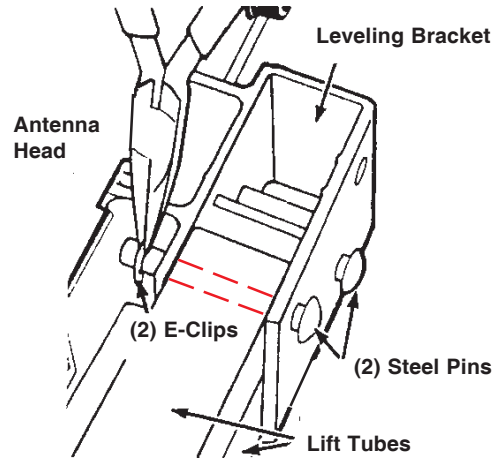
**STEP 9:** Lay ceiling plate on top of **directional handle** with pointers aligned and slide assembly over **rotating base shaft** in ceiling. Make pilot holes in ceiling. **Mount ceiling plate with directional handle in place** with screws provided, Figure 9.

**STEP 10:** Assemble directional handle, spring, nylon bearing, directional handle decal and elevating crank as shown in exploded view in Figure 9. Remove backing from crank cover decal and press firmly inside directional handle. Slide all parts over elevating shaft and install elevating crank so set screw is on one of the six flat sides of elevating shaft *before* tightening screw.

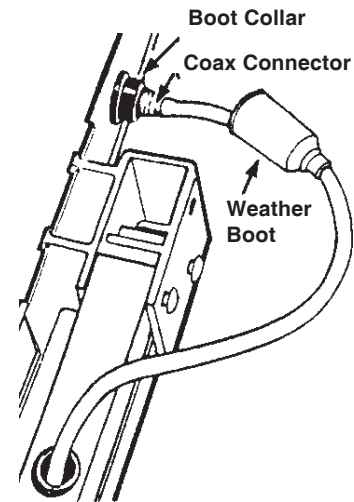
**WARNING: Once set screw touches shaft, tighten only 1/4 turn more. Set screw simply holds elevating crank on. DO NOT OVERTIGHTEN!**

**NON-AMPLIFIED MODELS ONLY**

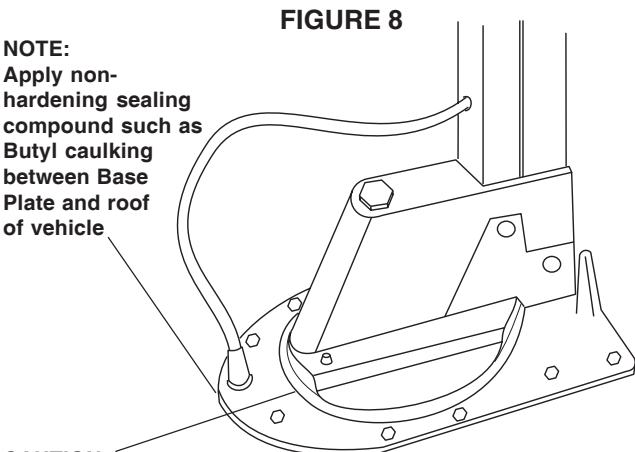
**STEP 11:** Run download to TV set location and make connection to antenna terminals of TV set.



**FIGURE 6**

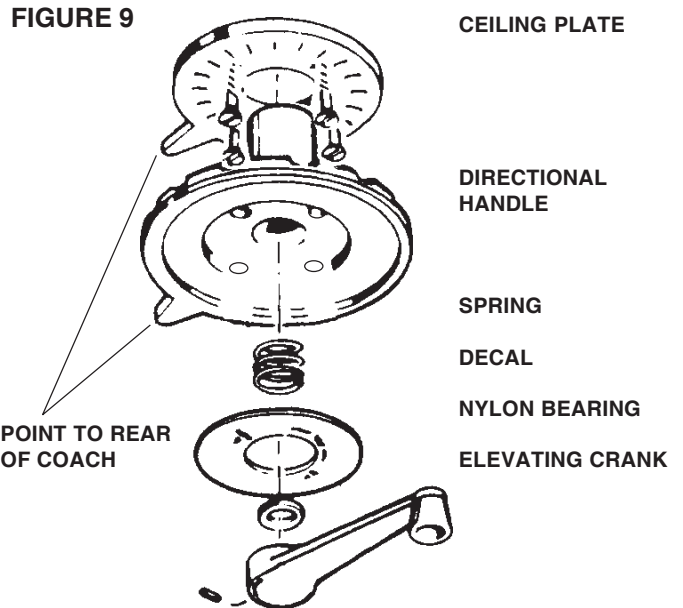


**FIGURE 7**



**FIGURE 8**

**CAUTION:** Do not get sealing compound on bearing surface between base plate and Rotating Gear Housing. Do not paint top of Base Plate or around Rotating Gear Housing.



**FIGURE 9**

## AMPLIFIED MODELS ONLY

**STEP 12:** Select location for wall plate. Run two coax cables (RG-59 type) (three if set 2 jack is going to be used) between locations and install connectors on each end. **Mark cables so "cable input", "TV output" "Set 2" may be identified.** Antenna download and +12 VDC will also be needed at inside wall plate/power supply location.

**STEP 11:** The wall plate/power supply assembly may be flush mounted in most standard electrical boxes. To flush mount cut a hole in wall to fit the box. Run 2 #12 wires between wall plate/power supply and +12 VDC source and route download cable to this location.

**CAUTION**  
**THE POWER SUPPLY SHOULD BE TURNED OFF WHEN CONNECTING CABLES/WIRES TO POWER SUPPLY. SEE FIGURE 14.**

**STEP 12:** Make 12 volt connection to wall plate/power supply, Figure 10. Install terminals on wires from +12 VDC source, Figure 11. Crimp terminals with appropriate crimping tool or equivalent, Figure 12. Push wires onto tabs on terminal board as shown in Figure 10. If in doubt as to the polarity of the wires, connect them temporarily to tabs on circuit board and press ON switch on front of wall plate; if light comes on, polarity is correct, Figure 10.

**STEP 13:** Install connectors on download, set 2 and cable input cables as shown on page 4. Attach download cable to jack on wall plate/power supply marked antenna, Figure 13. Attach cable going to set 2 outlet to jack on power supply marked SET 2. Attach cable coming from cable input to jack on power supply marked CABLE.

**STEP 14:** Mount power supply in wall with screws provided and attach TV set cable to jack on front of power supply/wall plate. Press ON switch on front of wall plate and check that light is on, Figure 14.

### CHECKING OPERATION OF POWER SUPPLY

1. Tune TV receiver to nearest station and rotate antenna for best picture and sound.
2. Press OFF switch on power supply. Picture on TV should be considerably degraded with power off.
3. **This unit is equipped with a polyswitch,** (current limiting device), which will shut down +12 VDC if there is a direct short between antenna and power supply. Green indicator light will not light. Once short is eliminated, device will reset itself.

### ADDING OPTIONAL AMPLIFIED WALLPLATE TO NON-AMPLIFIED RV/TV INSTALLATION

Model RA-7596 solid state TV signal amplifier works with any non-amplified RV/TV antenna. Improves picture quality. Uses +12 VDC; has on/off switch, indicator light, set 2 output, cable input and +12 VDC receptacle.

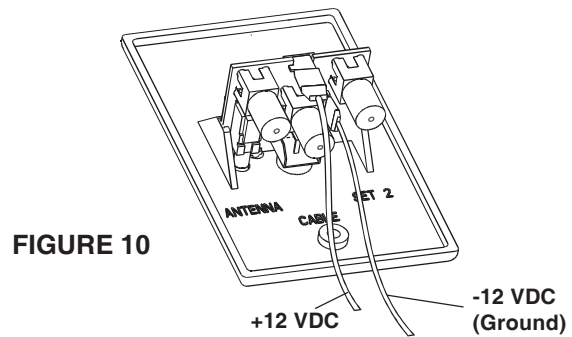


FIGURE 10

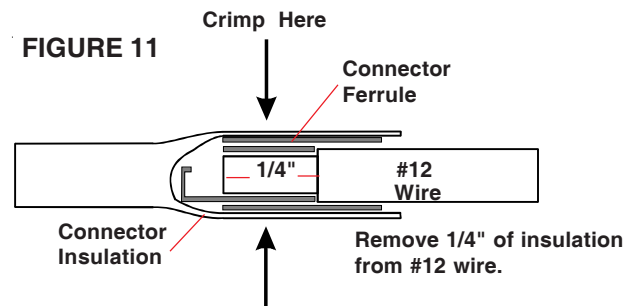


FIGURE 11

FIGURE 12

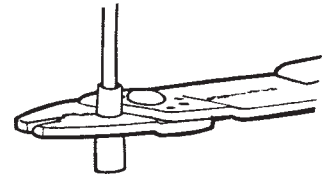


FIGURE 13

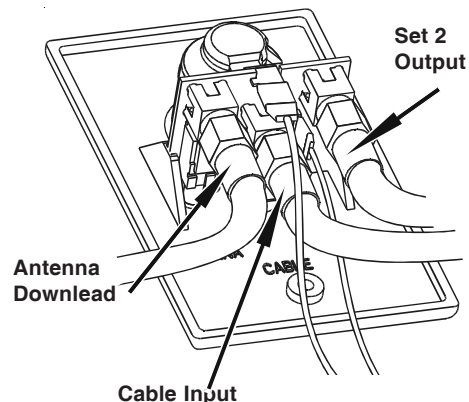
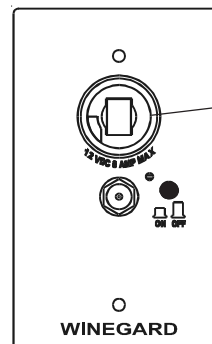


FIGURE 14



**WARNING**  
 DO NOT connect high current devices such as hair dryers to this receptacle. Maximum current rating of this receptacle is 8 amps at +12 VDC.

# OPERATION (All Models)

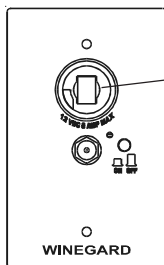
## RAISING ANTENNA TO OPERATING POSITION



Turn elevating crank (clockwise) in "UP" direction about 13 turns or until some resistance to turning is noted.

### AMPLIFIED MODELS ONLY

Turn power supply ON to use either front or rear TV outlet. Neither outlet will work unless power supply switch is ON.

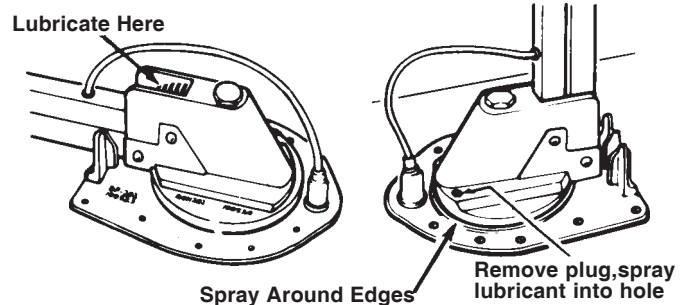


**WARNING**  
DO NOT connect high current devices such as hair dryers to this receptacle. Maximum current rating of this receptacle is 8 amps at +12 VDC.

## LUBRICATION

**STEP 1:** To lubricate the elevating gear, apply a liberal amount of silicone spray lubricant to the elevating gear with the lift in the down position (see illustration). Run the lift up and down to distribute the lubricant over gears.

**STEP 2:** Two times yearly, or in the event rotating the antenna becomes difficult, normal operation can be restored by lubricating the bearing surface between the rotating gear housing and the base plate. Any **silicone lubricant spray** may be used. Elevate antenna and remove set screw or plastic plug from rotating gear housing as shown. Spray lubricant into hole and around edges of gear housing. Rotate gear housing until lubricant coats bearing surfaces and antenna rotates freely.



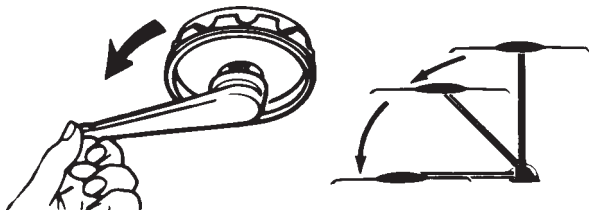
## ROTATING ANTENNA FOR BEST PICTURE



Make sure antenna is in "UP" position. Pull down on both hands until it disengages ceiling plate and rotate for best picture.

## LOWERING ANTENNA TO TRAVEL POSITION

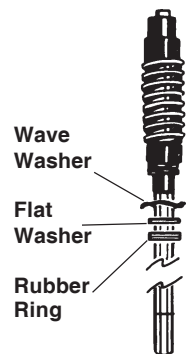
Rotate antenna until pointer on directional handle aligns with pointer on ceiling plate. Turn elevating crank (counter clockwise) in "DOWN" direction about 13 turns or until resistance is noted. Antenna is now locked in travel position.



**IMPORTANT:** Under no conditions lower antenna in any position except travel position.

## LUBRICATING RUBBER QUAD RING

Lubricate rubber quad ring on elevating shaft which is below worm gear with silicone spray lubricant at least twice yearly. This will keep quad ring from becoming brittle which could result in leaks down elevating shaft. Refer to page 8 for removing worm gear assembly. Item #6 on parts explosion.



### DO'S

1. Check parking location for obstructions before raising antenna.
2. Carefully raise, lower and rotate. If this is difficult, check for cause.
3. Rotate slowly when selecting station and check fine tuning on TV set to make sure it is properly adjusted.
4. Lower antenna before moving vehicle.

### DONT'S

1. Don't force elevating crank up or down.
2. Don't rotate directional handle hard against stops.
3. Don't travel with lift in up position.
4. Don't leave lift part way up or down.
5. Don't apply sealing compound or paint over top of base plate or anywhere on lift.

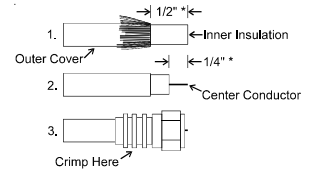
## INSTALLING F-CONNECTORS ON COAXIAL CABLE

**Step 1.** Strip outer cover back 1/2" from end of cable. Fray braid back as far as outer cover will allow.

**Step 2.** Trim braid close to outer cover and remove 1/4" of inner insulation **being careful not to nick center conductor**. Make sure no foil or braid can touch center conductor.

**Step 3.** Slide connector tip between braid and inner insulation (braid and foil, on foil shield cable) and push connector on cable as far as it will go. Crimp built-in ferrule with proper crimping tool. **Hex connector requires hex crimping tool**. Do Not crush cable out-of-round.

\* If installing in very hot weather, increase these dimensions 1/8".



## WHAT TO DO WHEN YOUR RV/TV ANTENNA IS NOT WORKING PROPERLY

### HOW YOUR SYSTEM WORKS, Figure 1

#### WARNING

Do not install couplers, splitters, etc. between the power supply and the antenna. Installation of any item on the download may cause a short in the system. The download supplies +12 VDC to the preamp in the antenna.

Turning power supply on sends +12 VDC up cable to antenna. Voltage energizes transistors on amplifier in antenna head. TV signal comes back down cable to outlets.

### TO TEST SYSTEM, Figure 2

1. Make sure TV set is working properly.
2. Switch power supply ON and OFF to difference in picture quality while watching TV. If NO there is difference, use following steps.

**CAUTION:** The power supply should be turned OFF when connecting/disconnecting cables to power supply and antenna, but should be turned ON when testing for voltage.

3. Disconnect cable from antenna and check for +12 VDC at Test Point #1. If there is +12 VDC, the power supply is OK. Replace antenna.
4. If there is NO +12 VDC at Test Point #1, reconnect cable to antenna. Remove power supply from wall and visually inspect for burned/broken parts. If there are ANY broken/burned parts, replace power supply.
5. Disconnect cable from antenna jack on power supply. Check for +12 VDC at Test Point 2. If +12 VDC is present, there is a cable problem connecting the power supply to the antenna. Repair/replace cable
6. If +12 VDC is not present at Test Point # 2, be sure the green indicator light is ON. If not, check the polarity of the red/white wires and the +12 VDC source. If there is still no +12 VDC, replace power supply.

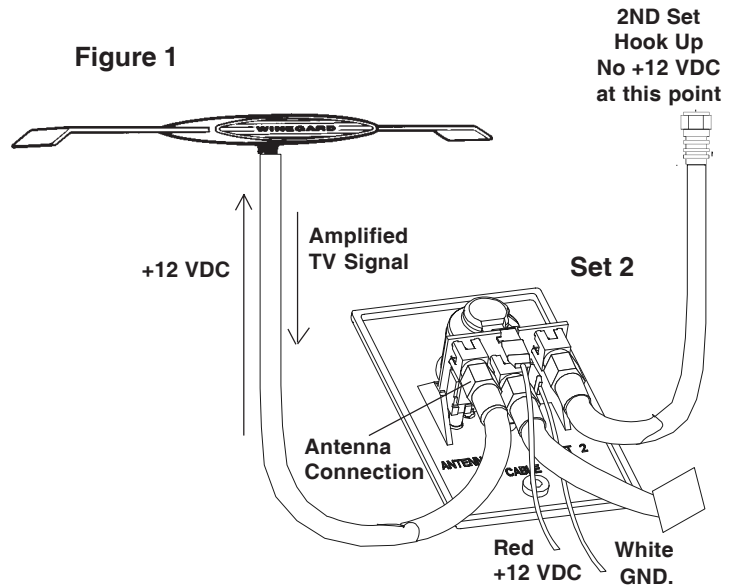
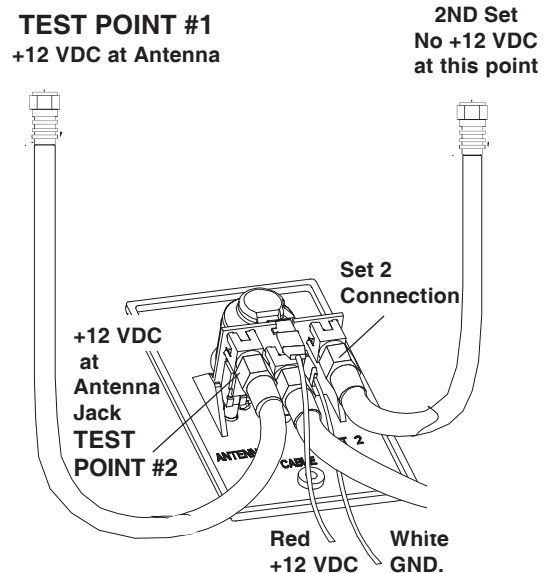


Figure 2



# ORDERING REPAIR PARTS

Repair parts are available at many RV dealers and/or service centers throughout the country. If you don't have a dealer/service center near you, call Winegard Company at 1-800-288-8094. All major credit cards accepted. Parts are available **only** in the packages shown here. **Order by the Model No. of the package needed.** Example: To order the elevating gear, order RP-3000. Tax, shipping and handling additional.

PACKAGE	MODEL NO.	PRICE
1	<b>RV2001A</b>	82.13
	Amplified Antenna Head	
	75 ohm	

1	<b>2120430</b>	39.75
	Non-Amplified Antenna Head	
	75 ohm	

2	<b>RP-2900</b>	17.16
	2 Elevator Tubes	
	2 Grommets	
	4 Pins	
	4 Retaining Rings	
	Rubber Bumper	
	Self Drilling Sc.	

FOR MODELS MADE BEFORE 1990	3	<b>RP-2000</b>	6.11
		Leveling Mount	
		4 Spacers	
		2 Pins	
		2 Rings	

4	<b>RP-0154</b>	1.50
	Boot	

5	<b>RP-3000</b>	5.00
	Elevating Gear	

6	<b>RP-4000</b>	10.95
	Worm Gear & 12.25" Hex Elevating Shaft Assembly w/ Wave Washer Flat Washer "O" Ring Worm Gear Nut	

14	<b>RW-5000</b>	4.95
	Roof Wedge	

15	<b>IW-1000</b>	2.00
	Interior Wedge	

PACKAGE	MODEL NO.	PRICE
7	<b>RP-2049</b>	27.39
	Gear Housing	
	2 Pins	
	Bearing	
	Nut *	
	Bearing	
	O-Ring Seal	
	Retaining Ring	

\* Remove/tighten with 15/16" 12 socket.

8	<b>RP-3523</b>	13.40
	Base Plate	
	10 Screws	
	Rubber Boot	

9	<b>RP-6200</b>	5.52
	IVORY	
	Directional Handle	
	Ceiling Plate	
	4 Screws	
	Spring	
	Decal	

9	<b>RP-6300</b>	5.52
	WHITE	
	Directional Handle	
	Ceiling Plate	
	4 Screws	
	Spring	
	Decal	

10	<b>RP-6822</b>	1.98
	Spring	

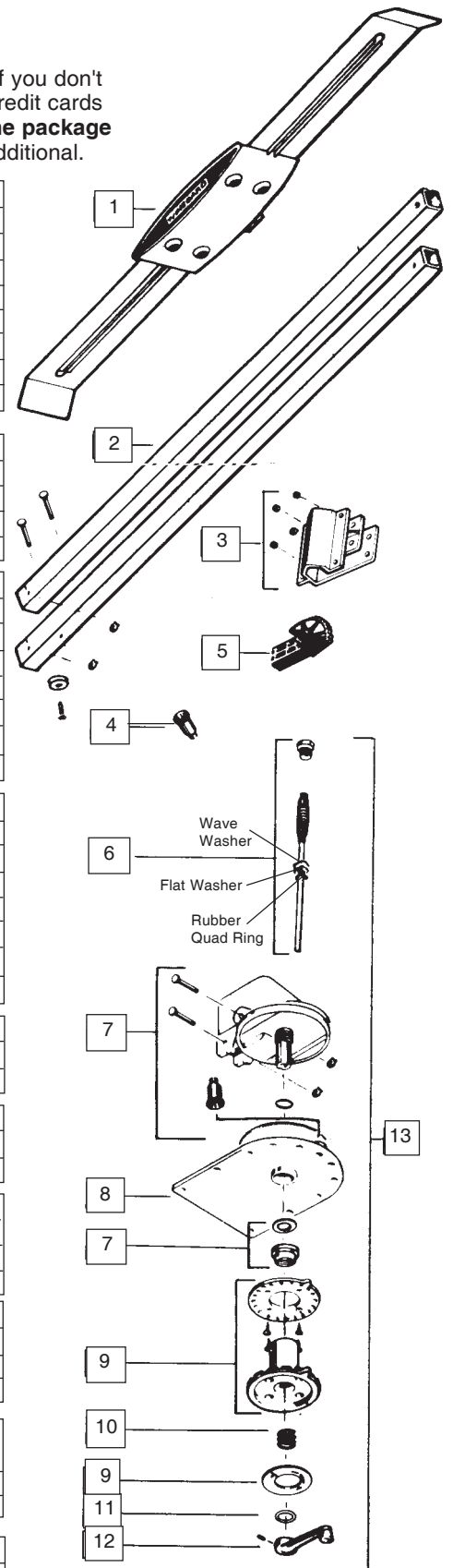
11	<b>RP-2658</b>	1.40
	Nylon Bearing	

AFTER 1989	12	<b>RP-5895</b>	6.28
		IVORY Crank, Set Screw, Hex Shaft	

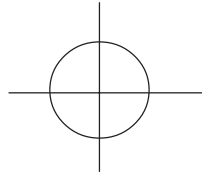
NEW 1993	12	<b>RP-6795</b>	6.28
		WHITE Crank, Set Screw, Hex Shaft	

FITS ALL	13	<b>SA-1001 IVORY</b>	71.50
		Preassembled Elev. Shaft, Gear Hsg., Base Plate	
		See Drawing at Right	

16	<b>EK-1036</b>	2.37
	Directional Handle Extension	



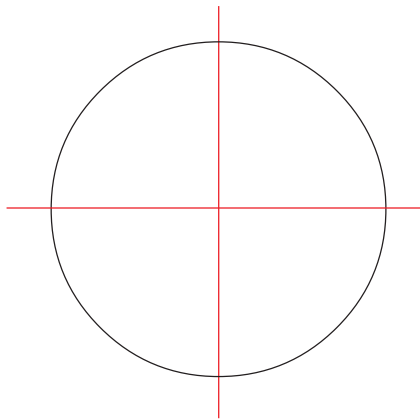
\*\* Use 3/32 Allen Wrench for set screw



1/2" DIA.

(Template)

**NOTE: DO NOT DRILL  
THROUGH CEILING IN  
EXPOSED AREA.**



1-3/4" DIA.  
DRILL COMPLETELY  
THROUGH CEILING



TOWARD FRONT  
OF VEHICLE

1/8" DRILL BIT  
10 HOLES. DO NOT  
DRILL THROUGH CEILING.

MINIMUM OF 5 FT.  
CLEAR SPACE



## SENSAR ANTENNA/LIFT TWO YEAR LIMITED WARRANTY

Winegard Company warrants this Winegard product against any defects in materials or workmanship within two (2) years from date of purchase. No warranty claim will be honored unless at the time the claim is made, you present proof of purchase to an authorized Winegard dealer (if unknown, please contact Winegard Company, 3000 Kirkwood Street, Burlington, Iowa 52601-2000, telephone 319-754-0600).

Winegard Company (at its option) will either repair or replace the defective product at no charge to you. This warranty covers parts, but does not cover any costs incurred in removal, shipping or reinstallation of the product. This limited warranty does not apply if the product is damaged, deteriorates, malfunctions or fails from: misuse, improper installation, abuse, neglect, accident, tampering, modification of the product as originally manufactured by Winegard, usage not in accordance with product instructions or acts of nature such as damage caused by wind, lightning, ice or corrosive environments such as salt spray and acid rain. (SENSAR®) This limited warranty does not apply if any other antenna is mounted to the SENSAR lift, if any other lift is mounted to the SENSAR antenna, or if the SENSAR antenna receiving elements are modified in any manner whatsoever.

The Two Year Warranty is provided on the condition that the equipment is properly delivered with all handling and freight charges prepaid to your Winegard dealer for repair or return to our factory at the above address. Winegard dealers will arrange for the replacement or repair and return to you, without charge, the product which failed due to defective material or workmanship.

WINEGARD COMPANY WILL NOT ASSUME ANY LIABILITIES FOR ANY OTHER WARRANTIES, EXPRESS OR IMPLIED, MADE BY ANY OTHER PERSON.

ALL OTHER WARRANTIES WHETHER EXPRESS, IMPLIED OR STATUTORY INCLUDING WARRANTIES OF FITNESS FOR A PARTICULAR PURPOSE AND MERCHANTABILITY ARE LIMITED TO THE TWO YEAR PERIOD OF THIS WRITTEN WARRANTY.

The foregoing shall be the sole and exclusive remedy of any person whether in contract, tort or otherwise, and Winegard shall not be liable for incidental or consequential damage or commercial loss, or from any other loss or damage except as set forth above.

Some states do not allow limitations on how long an implied warranty lasts, or the exclusion of limitation of incidental or consequential damages, so the above limitations or exclusions may not apply to you.

This warranty gives you specific legal rights and you may also have other rights which vary from state to state.

## ELEVATING SHAFT & WORM GEAR ASSEMBLY REPLACEMENT PROCEDURE

**NOTE: It is not necessary to remove rotating gear housing from base plate or remove antenna from roof to replace the shaft & worm gear assembly .**

**Step 1:** Lower antenna to travel position. Loosen set screw on elevating crank , remove crank, spring , directional handle.

**Step 2:** Remove top retaining ring from top pin holding **top** elevating tube in rotating gear housing and remove pin.

**Step 3:** Remove plastic plug from top of rotating gear housing, disengage elevating gear, remove elevating shaft assembly .

**Step 4:** Lubricate worm gear assembly on new elevating shaft assembly with spray silicone lubricant, **make sure wave washer, flat washer and quad ring are on lower bearing** and insert assembly in housing.

**Step 5:** Reinstall plastic plug in top of housing. Gears will mesh automatically once elevating crank is turned.

**Step 6:** Replace directional handle, spring and elevating crank. Make sure set screw contacts flat surface on shaft before tightening.